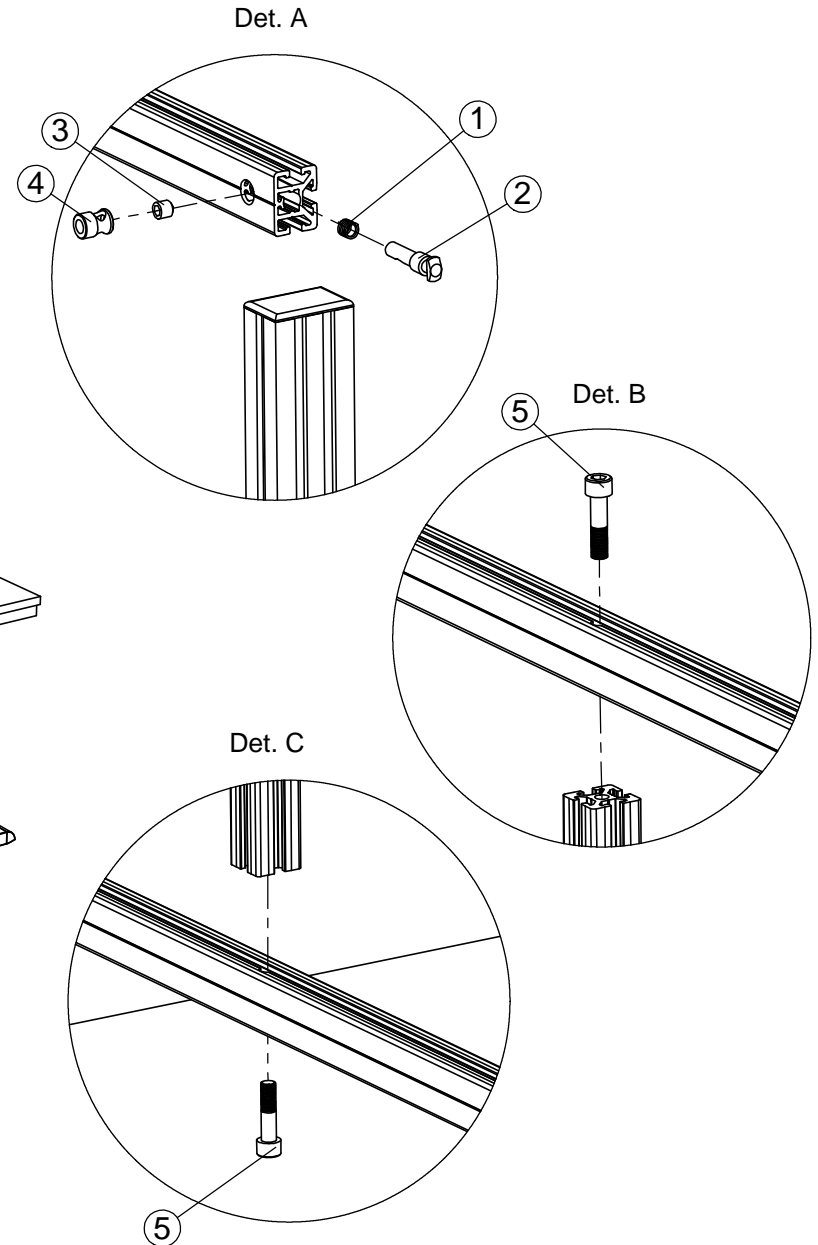
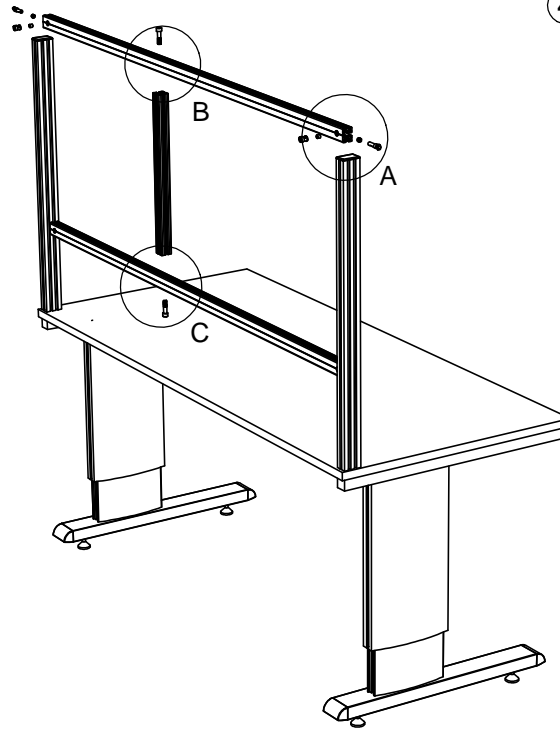
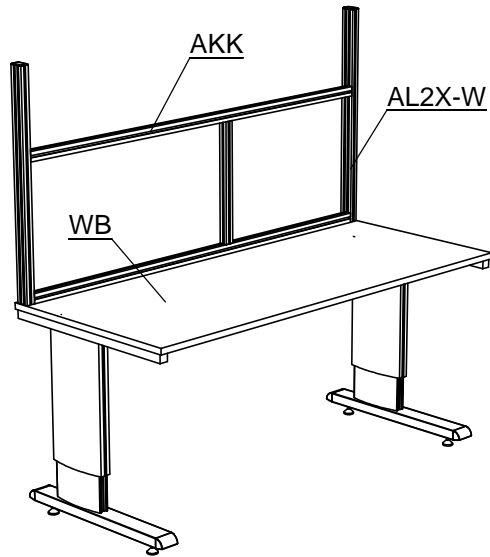


### AKK 150 AKK 180



| No. | Part       | Pcs |
|-----|------------|-----|
| 1.  | 1 x 9 x 25 | 2   |
| 2.  | Ø 15 x 50  | 2   |
| 3.  | M 10 x 12  | 2   |
| 4.  | M 10       | 2   |
| 5.  | M 10 x 40  | 2   |