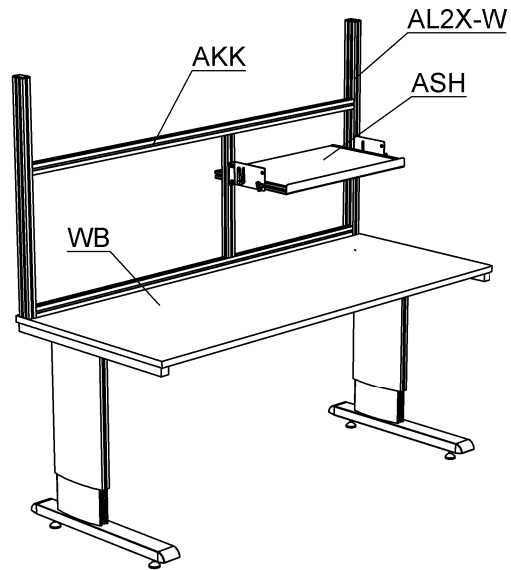
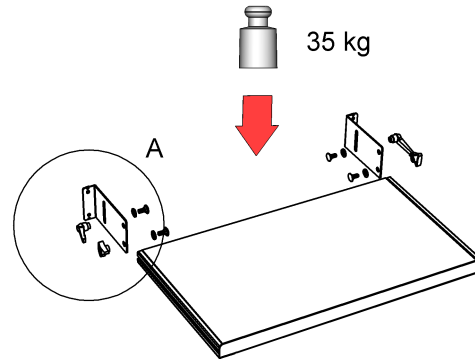


### ASH 70 ASH 100

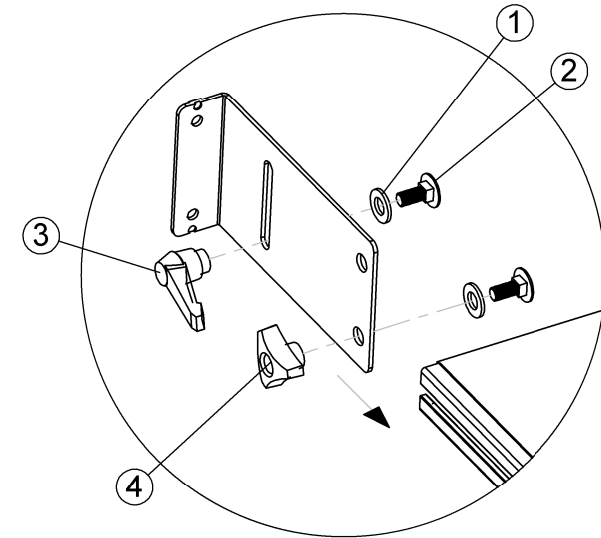


| No. | Part     | Pcs |
|-----|----------|-----|
| 1.  | 10,5 M 8 | 4   |
| 2.  | M 8 x 20 | 4   |
| 3.  | M 8      | 2   |
| 4.  | M 8      | 2   |
| 5.  | M 6 x 12 | 4   |
| 6.  | M 6      | 4   |

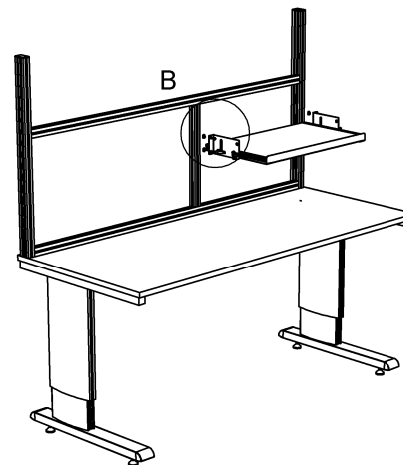
1.



Det. A



2.



Det. B

