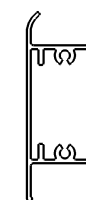
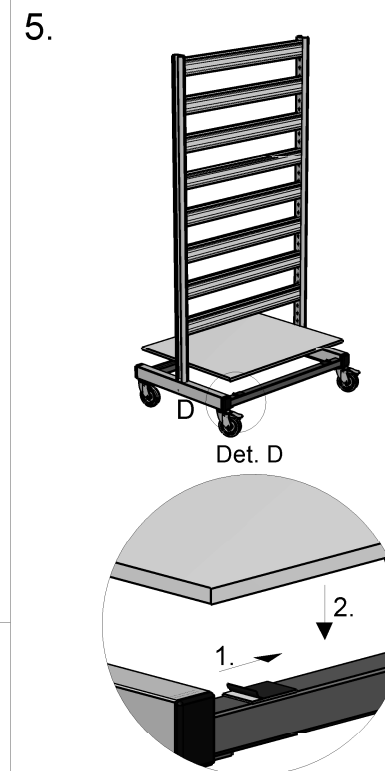
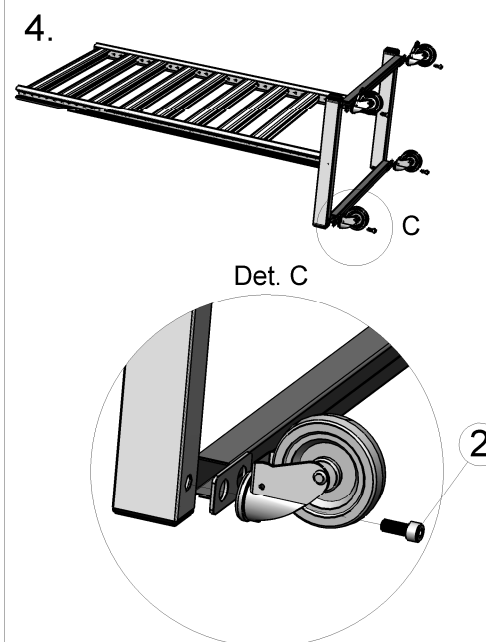
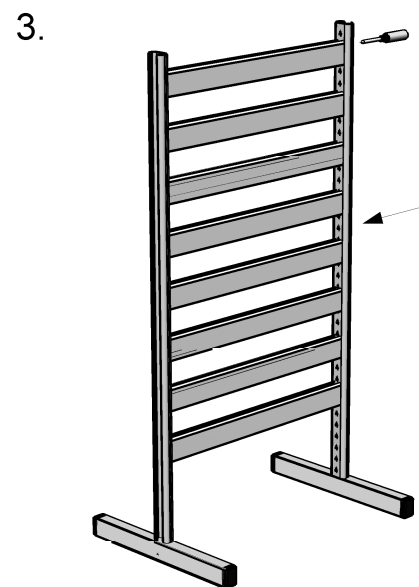
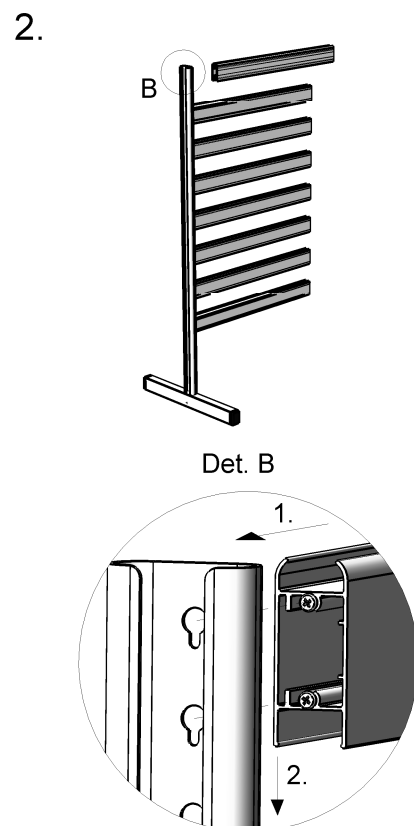
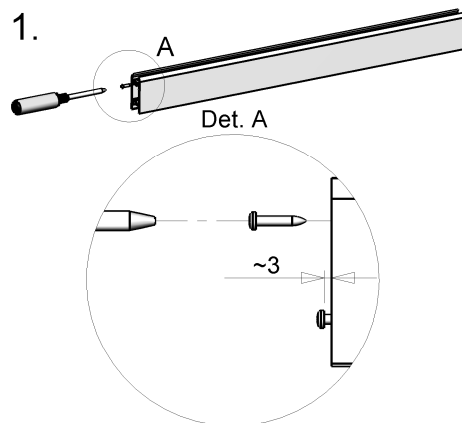


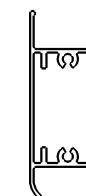
### BT-170 A



| No. | Part        | Pcs |
|-----|-------------|-----|
| 1.  | 4,5 x 20 ZN | 32  |
| 2.  | M 10 x 25   | 4   |



TRESTON



KENNOSET