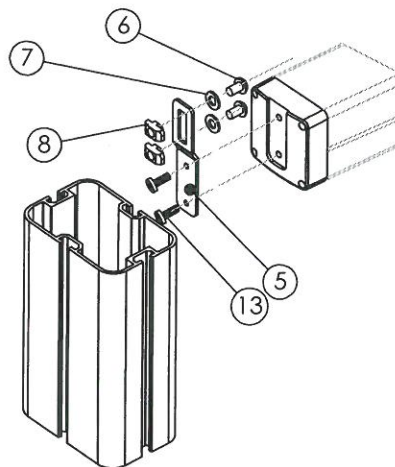


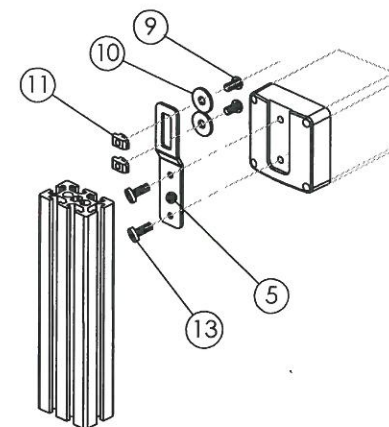
CJK -70, -100, TJK -120, -150, -180, WJK -90, -40

No.	Part	Code	Pcs
1.		5012	2
2.	 1 x M10	0827	2
3.	 M10.5	0834	2
4.	 M10 x 20	0806	2
5.		5013	2
6.	 M8 x 12	2530	4
7.	 M8.4	0833	1+1
8.	 M8	2535	4
9.	 M6 x 12	1916	4
10.	 M6.4	0832	4
11.	 M6	2532	4
12.		5073 5074	4
13.	 M4 x 10	1429	4

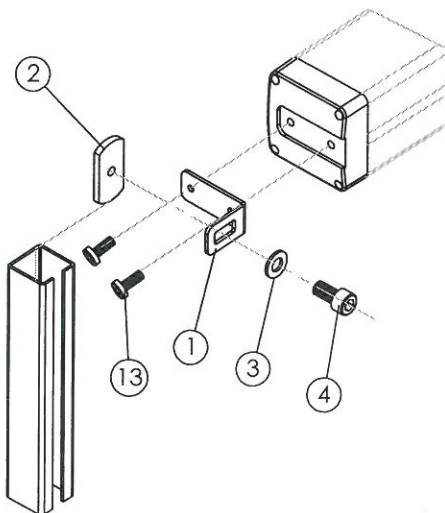
WJK -90



CJK -70, -100



TJK -120, -150, -180



WJK -40

