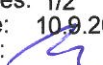


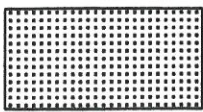

TRESTON

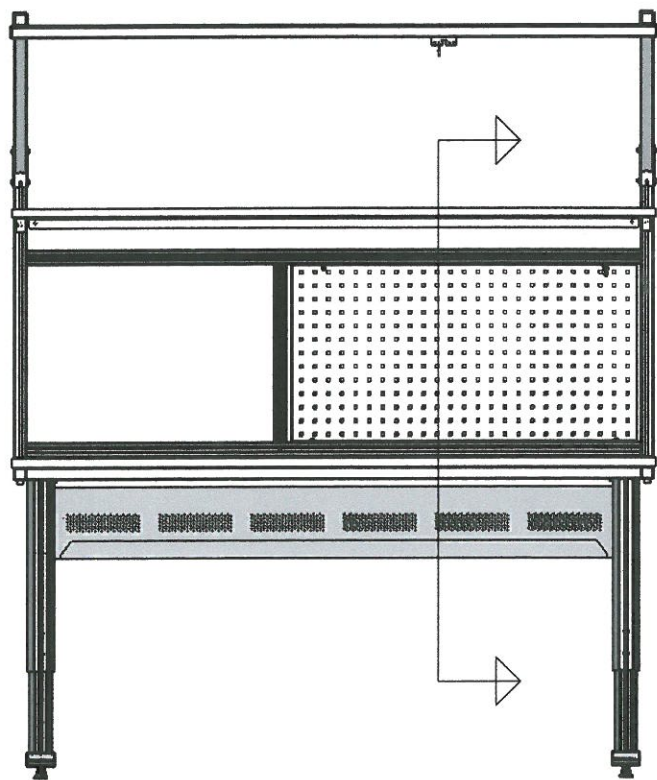
KOKOONPANO-OHJE ASSEMBLY INSTRUCTION

REIKÄLEVY PERFORATED PANEL

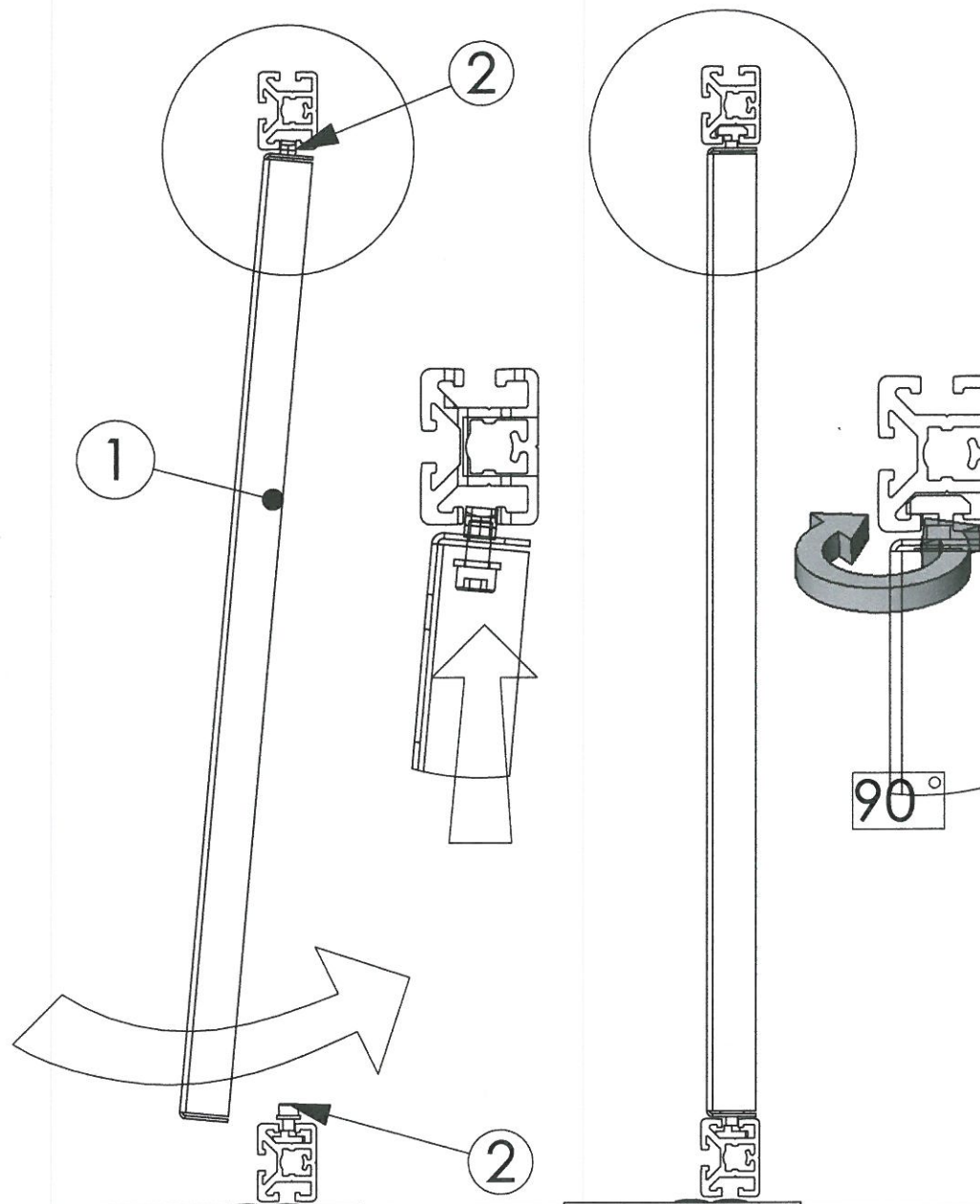
22-09-2007

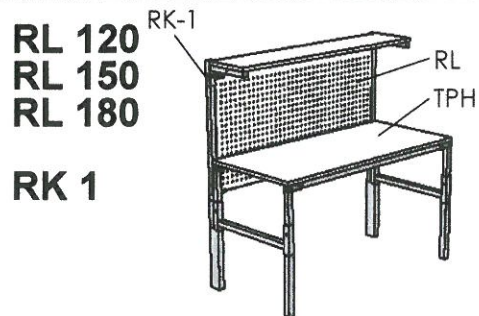
Koodi/code: **O-1971C-**
Sivut/Pages: 1/2
Pvm/Date: 10.9.2007
Hyv./Acc.: 



| Nr | Part | Code | Pcs |
|----|---|----------------------|-----|
| 1 |  | ARL | 1 |
| 2 |  | 1916 0832 2532 | 4 |









ARL70
ARL100





| No. | RL-120/150 | | Pcs |
|-----|---|----------|-----|
| 1. |  | 4 x 25 | 8 |
| 2. |  | Ø 6 x 30 | 8 |

| No. | RL-180 | | Pcs |
|-----|--|----------|-----|
| 1. |  | 4 x 25 | 10 |
| 2. |  | Ø 6 x 30 | 10 |

| No. | RK-1 | | Pcs |
|-----|---|-----------|-----|
| 3. |  | M 10 x 20 | 2 |
| 4. |  | M 10 | 2 |
| 5. |  | M 6 x 12 | 4 |
| 6. |  | 6,4 | 4 |

