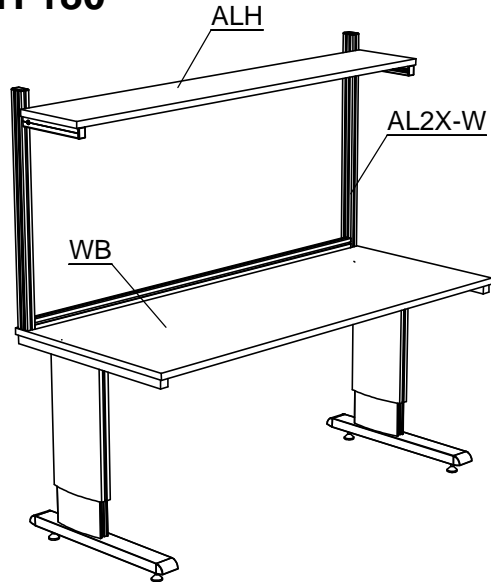


**ALH 110**  
**ALH 150**  
**ALH 180**



No.	Part	Pcs
1.	Ø 15 x 50	2
2.	1 x 9 x 25	2
3.	M 10	2
4.	M 10 x 12	2
5.	4.2 x 51	4
6.	30 x 40	2

